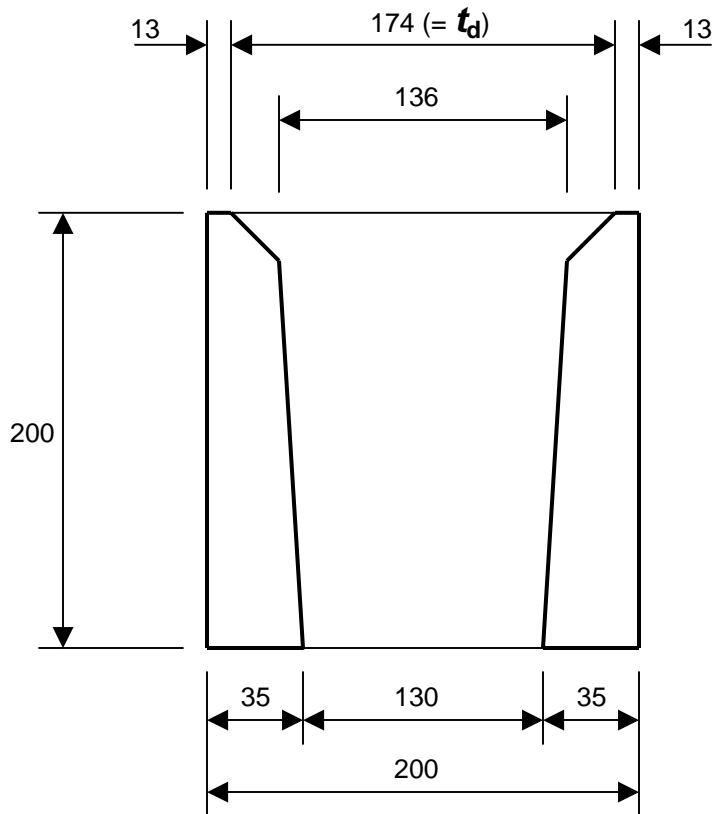


SECTION 1. 200 PRONTO BLOCK - UNCHAMFERED

Cross section dimensions & properties



CROSS SECTION THROUGH BLOCK

Properties of 200 Pronto Block masonry units:

Mortarless Block	O/A width mm	Chamfer Width (ext) mm	Chamfer Width (int) mm	t_d mm	Core Width mm	A_b sq.mm./m	A_c sq.mm./m	A_d sq.mm./m	f'_{uc} MPa
200	200	0	19	174	136	38000	136000	174000	15 20

Note: t_d is the design thickness of the wall