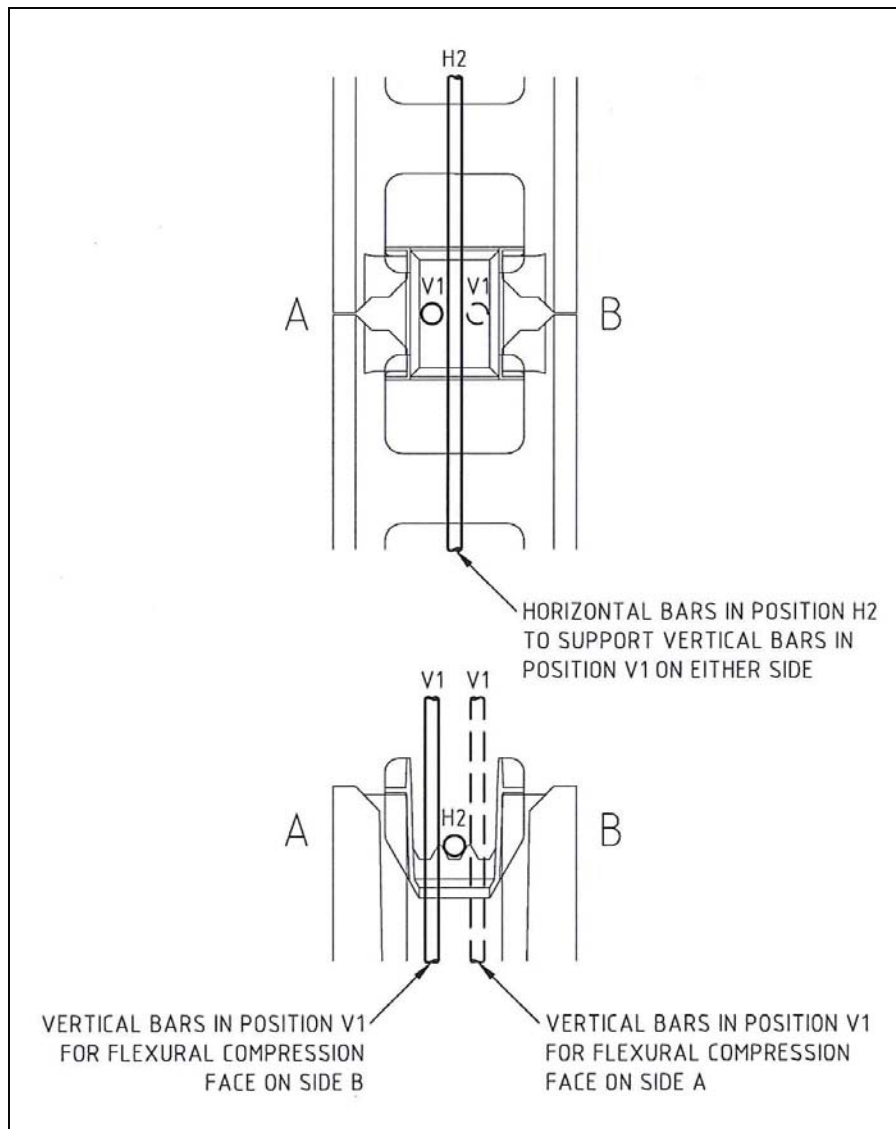


SECTION 3. DESIGN OF WALLS IN BENDING

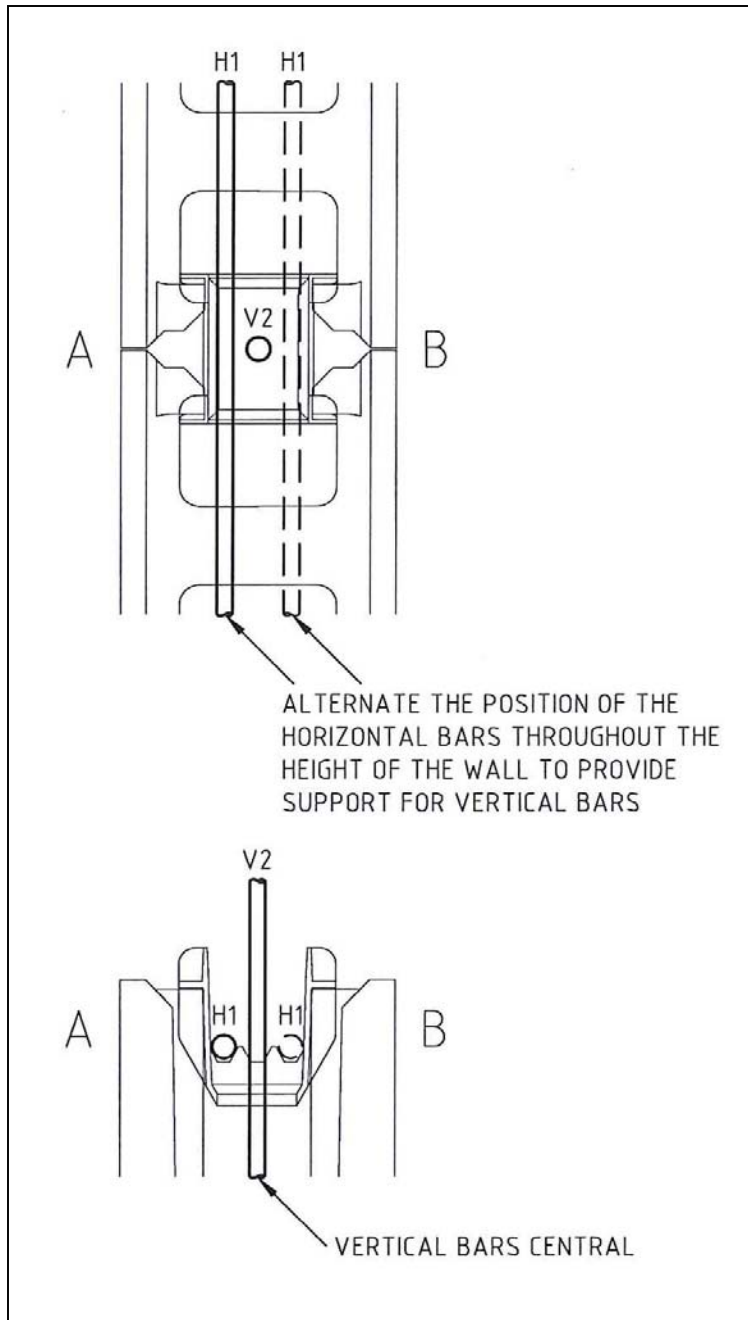
This section is for the design of walls subjected to out-of-plane lateral loads only however it can also be used for the design of walls subjected to only small axial compression loads where the stress at mid-height due to bending and compression does not exceed the lesser of $0.03f_c$ and 2MPa (Refer Clause 11.1b)

Reinforcing bar positions

The location of all reinforcement in *mortarless* walls is controlled by the notches in the connectors that support the horizontal bars. The 140 mortarless connectors have three notches, and the bar positions are described as V1, V2, H1 and H2 as shown in the following sketches. Positions V1 and H1 are located furthest from the neutral axis, while positions V2 and H2 are located closest to the neutral axis. These positions are referred to in the moment capacity tables below.



Reinforcing bar positions V1 and H2 for 140 mortarless



Reinforcing bar positions H1 and V2 for 140 mortarless

DESIGN PROCEDURE: BENDING

Out-of-plane bending (walls):

Step 1: Calculate ultimate limit state design bending moment.

Step 2: Select a *mortarless* block size and strength (grade) based on local availability and price, and any other requirements (architect's requirements, fire rating, sound rating, thermal rating etc).

Step 3: Using Table 3-1 determine the reinforcement size, spacing and location that will give a bending moment capacity equal to or greater than the design bending moment.

Ensure the bar positions (vertical and/or horizontal) are specified on the drawings. Note that when the vertical bars are required to be in any of the four possible locations it is necessary to specify the appropriate horizontal bar positions. The horizontal bars are used to guide the vertical bars into their correct location and to support them in that location throughout the height of the wall – refer to the sections on pages 1 – 3.

In-plane bending (beams):

Step 1: Calculate ultimate limit state design bending moment.

Step 2: Using Table 3-2 or 3-3 determine the reinforcement requirement noting that this table can be used for checking both the positive and the negative bending moment reinforcement requirements.

Bending moment capacities for walls subject to out-of-plane loads

TABLE 3-1:

140 MORTARLESS WALL - UNCHAMFERED									
Block Grade & Reinforcement ($f_y = 500\text{Mpa}$)	A_s mm ² /m	BENDING MOMENT CAPACITY (kNm/m)							
		vertical bending				horizontal bending			
		A_{sd} mm ² /m	bars in position V1 $d = 71$	A_{sd} mm ² /m	bars in position V2 $d = 57$	A_{sd} mm ² /m	bars in position H1 $d = 74$	A_{sd} mm ² /m	bars in position H2 $d = 57$
Grade 15 blocks 20MPa Grout									
N12-300 avg.	367	367	10.8	350	8.0	367	11.4	350	8.0
N12-400	275	275	8.5	275	6.6	275	8.9	275	6.6
N12-600	183	183	6.0	183	4.7	183	6.2	183	4.7
N16-200	1000	440	12.5	350	8.0				
N16-400	500	440	12.5	350	8.0				
N16-600	333	333	10.0	333	7.7				
Grade 20 blocks 20MPa Grout									
N12-200	550	550	15.8	470	10.7	550	16.7	470	10.7
N12-400	275	275	8.8	275	6.9	275	9.3	275	6.9
N12-600	183	183	6.1	183	4.8	183	6.4	183	4.8
N16-200	1000	580	16.5	470	10.7				
N16-400	500	500	14.7	470	10.7				
N16-600	333	333	10.5	333	8.1				

Notes:

All reinforcement to be Grade 500 deformed bars.

The tabulated values have been calculated in accordance with Clause 8.1

A_s is the area of tensile reinforcement installed in the wall

A_{sd} is the area of tensile reinforcement used for design of the section

The tabulated bending moment capacities include all of the applicable capacity reduction factors.

It is recommended that N16-200 be specified with caution as the sections are over reinforced.

This applies also to all other capacities where the A_{sd} box is dark shaded.

Bending moment capacities for mortarless beams

TABLE 3-2: Beams with one bar in the bottom course

15MPa	<i>D x B</i>	<i>d</i>	Bending moment capacity (kNm)	
			1N12 bottom	1N16 bottom
2 course beam	400 x 140	230	12.5	22.5
3 course beam	600 x 140	430	23.5	42.5
4 course beam	800 x 140	630		62.5

TABLE 3-3: Beams with one bar in the bottom course

20MPa	<i>D x B</i>	<i>d</i>	Bending moment capacity (kNm)	
			1N12 bottom	1N16 bottom
2 course beam	400 x 140	230	12.5	22.5
3 course beam	600 x 140	430	23.5	42.5
4 course beam	800 x 140	630		62.5