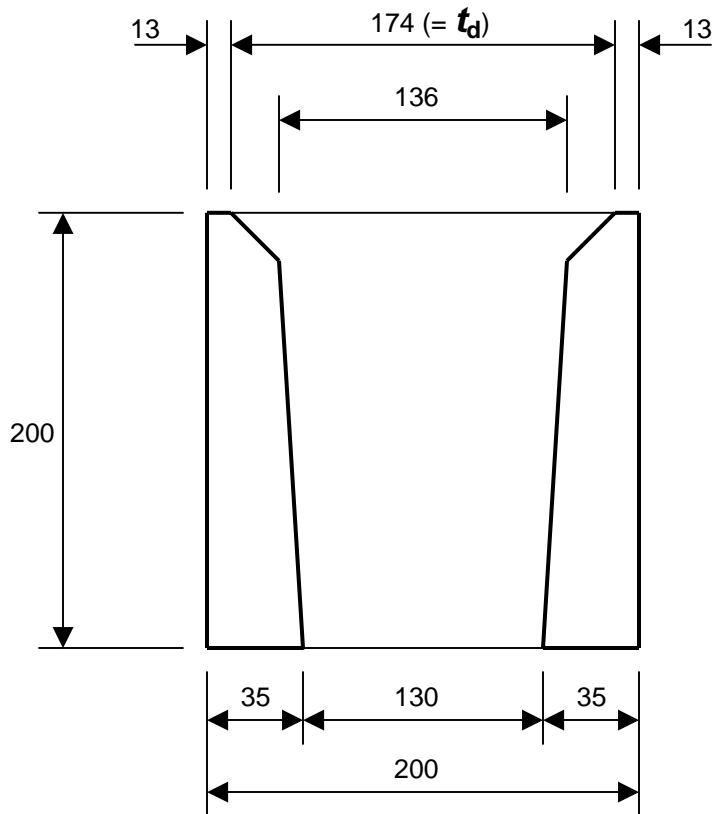


## SECTION 1. 200 MORTARLESS BLOCK - UNCHAMFERED

### Cross section dimensions & properties



CROSS SECTION THROUGH BLOCK

### Properties of 200 mortarless masonry units:

Mortarless Block	O/A width mm	Chamfer Width (ext) mm	Chamfer Width (int) mm	$t_d$ mm	Core Width mm	$A_b$ sq.mm./m	$A_c$ sq.mm./m	$A_d$ sq.mm./m	$f'_{uc}$ MPa
200	200	0	19	174	136	38000	136000	174000	15 20

Note:  $t_d$  is the design thickness of the wall