



MASONRY PRODUCTS

MASONRY CATALOGUE

PRICE LIST

Effective 1 February 2016

ALL CORRESPONDENCE TO

**PO BOX 1504
MAREEBA QLD 4880**

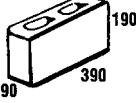
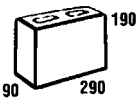
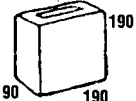
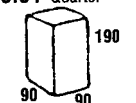
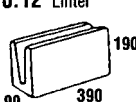
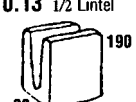

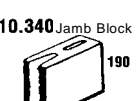
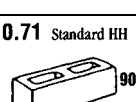
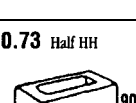
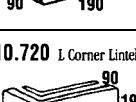
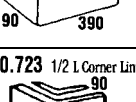
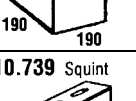
www.tcbmasonry.com

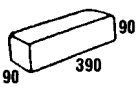
Cnr Costin & Beames Streets MAREEBA

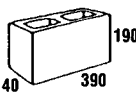

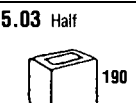
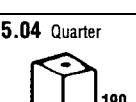
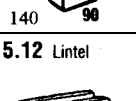
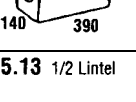
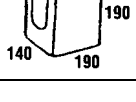
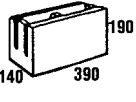
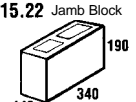
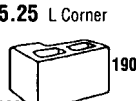
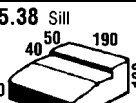
Phone: 07 4092 2086

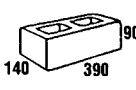
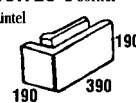
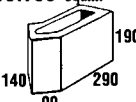
Fax: 07 4092 4361

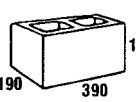
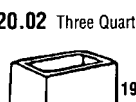
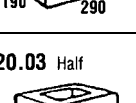
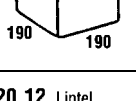
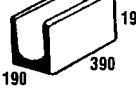
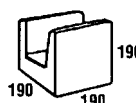
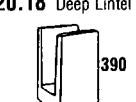

Email: sales@tcbmasonry.com


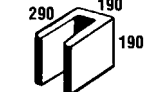
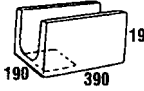
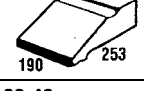
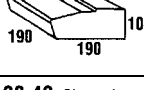
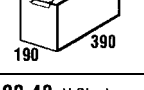
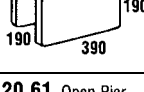

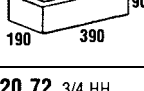
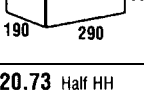
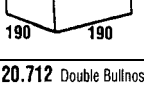
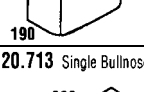
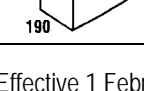
100mm SERIES	UNIT PRICE	NUMBER PER TONNE	NUMBER PER PALLET
10.01 Standard 	\$2.75	100	160
10.02 Three Quarter 	\$2.54	131	210
10.03 Half 	\$1.87	200	320
10.04 Quarter 	\$2.33	318	600
10.12 Lintel 	\$2.75	97	160
10.13 1/2 Lintel 	\$2.75	186	300
10.25 L Corner 	\$3.99	76	120
10.340 Jamb Block 	\$4.05	117	195
10.71 Standard HH 	\$2.41	222	320
10.73 Half HH 	\$2.75	318	640
10.720 L Corner Lintel 	\$3.02	83	120
10.723 1/2 L Corner Lintel 	\$3.02	140	200
10.739 Squint 	\$3.02	89	104

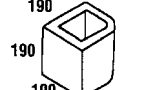
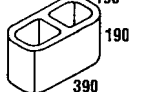
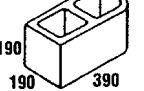
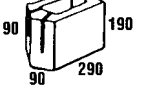
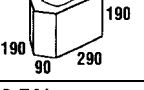
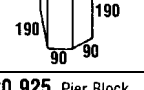
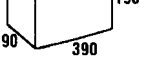
10.83 Solid HH 	\$2.75	149	256
--	--------	-----	-----

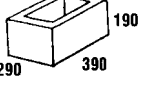
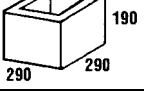
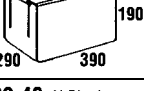
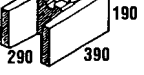
150mm SERIES	UNIT PRICE	NUMBER PER TONNE	NUMBER PER PALLET
15.01 Standard 	\$3.68	76	120
15.02 Three Quarter 	\$3.33	106	168
15.03 Half 	\$2.31	148	240
15.04 Quarter 	\$4.02	200	410
15.12 Lintel 	\$4.02	61	100
15.13 1/2 Lintel 	\$2.43	150	200
15.20 Knockout 	\$3.83	79	120
15.22 Jamb Block 	\$4.51	66	144
15.25 L Corner 	\$4.55	66	102
15.38 Sill 	\$3.49	168	240
15.48 H Block 	\$3.94	76	120

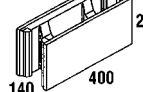
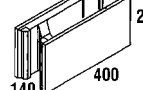
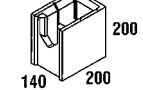
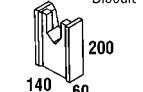
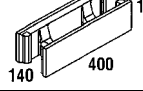
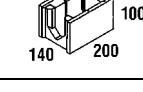
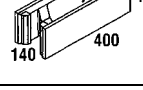


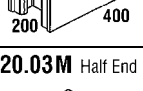
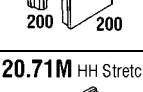
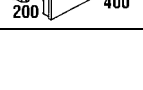
15.71 Standard HH 	\$2.85	148	240
15.720 L Corner Lintel 	\$4.03	73	105
15.739 Squint 	\$4.14	89	105

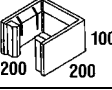
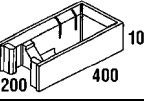

200mm SERIES	UNIT PRICE	NUMBER PER TONNE	NUMBER PER PALLET
20.01 Standard 	\$4.22	67	90
20.02 Three Quarter 	\$4.28	82	120
20.03 Half 	\$3.15	113	150
20.12 Lintel 	\$4.82	48	75
20.13 1/2 Lintel 	\$2.82	109	150
20.18 Deep Lintel 	\$5.54	68	90
20.20 Knock-Out 	\$4.22	68	90
20.21 Knock-Out Corner 	\$4.58	60	90

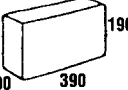
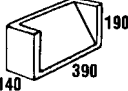
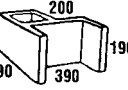
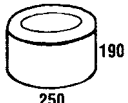
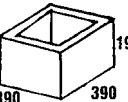
20.22 Jamb Block 	\$4.19	68	108
20.25 3/4 Lintel 	\$4.82	79	120
20.28 Lintel Knock-Out 	\$6.59	61	90
20.38 Sill 	\$5.62	133	190
20.40 Bullnose Sill 	\$5.62	143	240
20.42 Channel 	\$4.57	63	90
20.48 H Block 	\$4.57	70	90
20.61 Open Pier 	\$4.40	78	90
20.71 Standard HH 	\$3.15	133	180
20.72 3/4 HH 	\$4.74	150	240
20.73 Half HH 	\$1.99	278	300
20.712 Double Bullnose 	\$6.47	76	90
20.713 Single Bullnose 	\$6.47	60	90

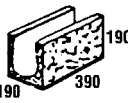

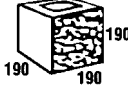

20.714 1/2 Single Bullnose 	\$6.47	114	150
20.725 Full Bullnose 	\$6.47	60	90
20.726 Double End Bullnose 	\$6.47	64	90
20.737 K.O. Squint 	\$6.47	88	96
20.739 Squint 	\$5.36	88	96
20.741 Squint Half 	\$5.17	210	240
20.925 Pier Block 	\$4.58	71	90




300mm SERIES	UNIT PRICE	NUMBER PER TONNE	NUMBER PER PALLET
30.925 Pier Block 	\$7.23	51	60
30.02 Three Quarter Pier 	\$6.48	60	80
30.20 K.O. Bond 	\$6.65	49	60
30.48 H Block 	\$6.65	57	60


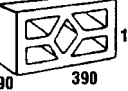
MORTARLESS BLOCKS	UNIT PRICE	NUMBER PER TONNE	NUMBER PER PALLET
15.01M Stretcher 	\$3.92	76	100
15.21M Full End Block 	\$3.92	74	120
15.03M Half End 	\$3.50	145	200
15.04M Corner Biscuit 	\$3.50	500	380
15.71M HH Stretcher 	\$3.71	152	200
15.73M HH Half End 	\$3.50	290	400
15.74M HH End Block 	\$3.71	148	200
MC15 Yellow Connector 	\$0.82	-	100 per bag
20.01M Stretcher 	\$4.82	63	90
20.21M End Block 	\$4.82	60	90
20.03M Half End 	\$4.31	120	150
20.71M HH Stretcher 	\$4.61	126	150

20.73M HH Half End 	\$4.31	240	300
20.74M HH End Block 	\$4.61	120	150
MC20 Green Connector 	\$0.82	-	100 per bag

SPECIALTY BLOCKS	UNIT PRICE	NUMBER PER TONNE	NUMBER PER PALLET
10.31 Solid 	\$3.61	71	128
15.745 Louvre 	\$8.69	61	96
20.60 Engaged Pier 	\$7.50	48	60
25.58 Column 	\$7.46	116	100
40.925 Pier Block 	\$8.05	48	45

SPLIT FACE SERIES	UNIT PRICE	NUMBER PER TONNE	NUMBER PER PALLET
20.112 Lintel 	\$6.47	47	75
20.121 Standard 	\$6.47	54	75
20.123 Half 	\$6.47	110	150
20.127 Standard HH 	\$6.47	123	150

20.129 Half HH 	\$6.47	233	300
20.133 Knockout 	\$6.47	55	75
20.139 Corner 	\$6.47	47	75

SCREEN WALLS	UNIT PRICE	NUMBER PER TONNE	NUMBER PER PALLET
10.938 Arches 	\$6.47	111	150
10.949 Diamond 	\$6.47	111	150

OTHER CHARGES
Shrinkbag \$5.50 each
Strapping \$1.10 per strap
Stretch Wrap \$1.10 each
Cutting Charge P.O.A.
Pallet Deposit \$33.00 (refundable on return)

WHEN PLACING ORDERS
Please order carefully as we reserve the right not to give a refund, credit or exchange

PRODUCT ESTIMATIONS
All requests for product estimates will attract a charge of \$55.00 for house plans
Other projects P.O.A.

VOLUME OF CONCRETE (m ³) USED IN FILLING CORES		
Product Code	Volume of concrete to fill 100 blocks	Number of blocks filled by 1 cubic metre
15.01	0.52	193
15.01M	0.63	158
15.20	0.54	186
15.48	0.56	179
20.01	0.81	123
20.01M	0.94	106
20.20	0.81	123
20.48	0.88	113
30.02	0.97	103
30.48	1.47	68
40.925	1.98	50

Note: All prices subject to change without notice